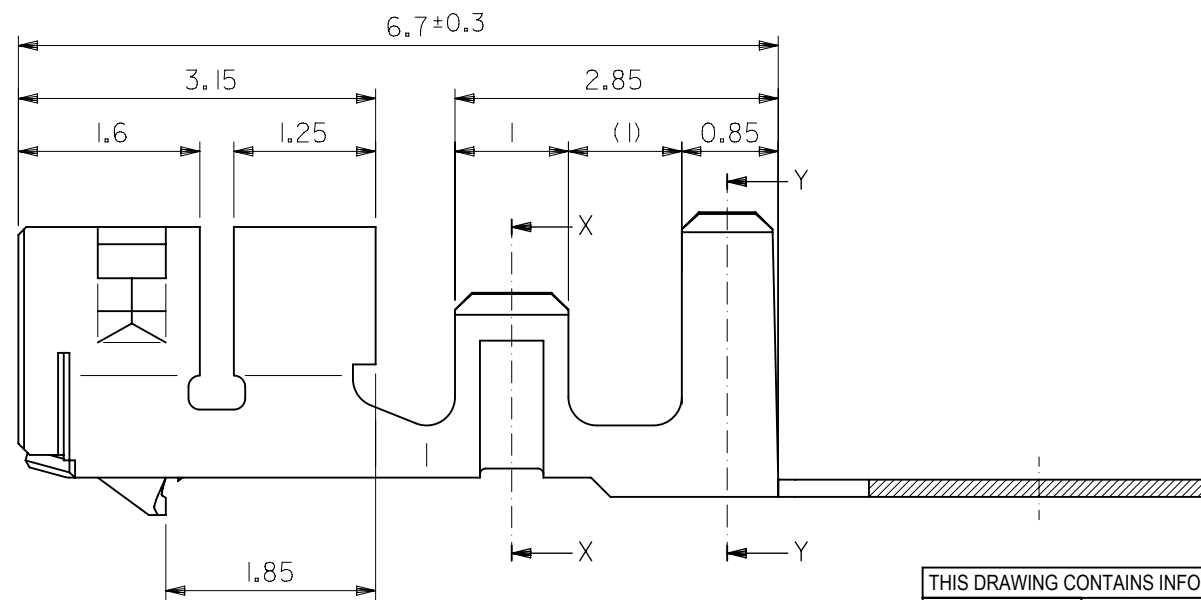
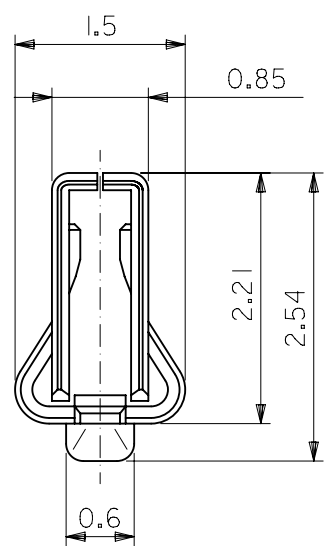
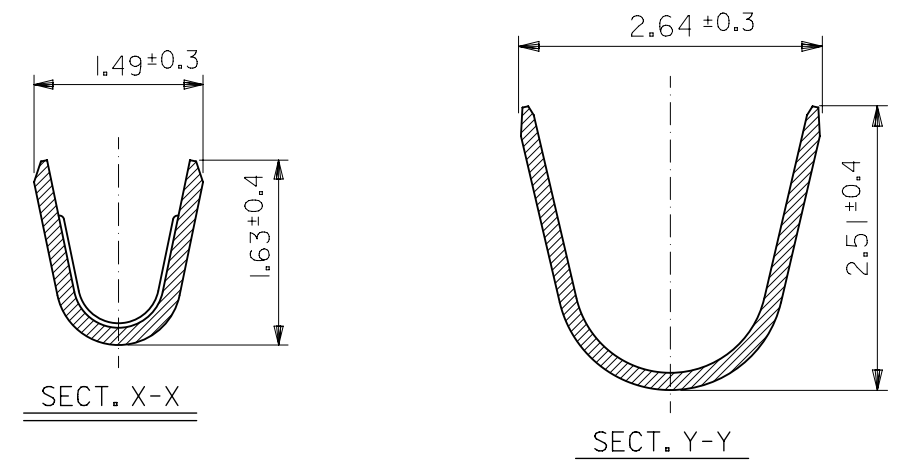
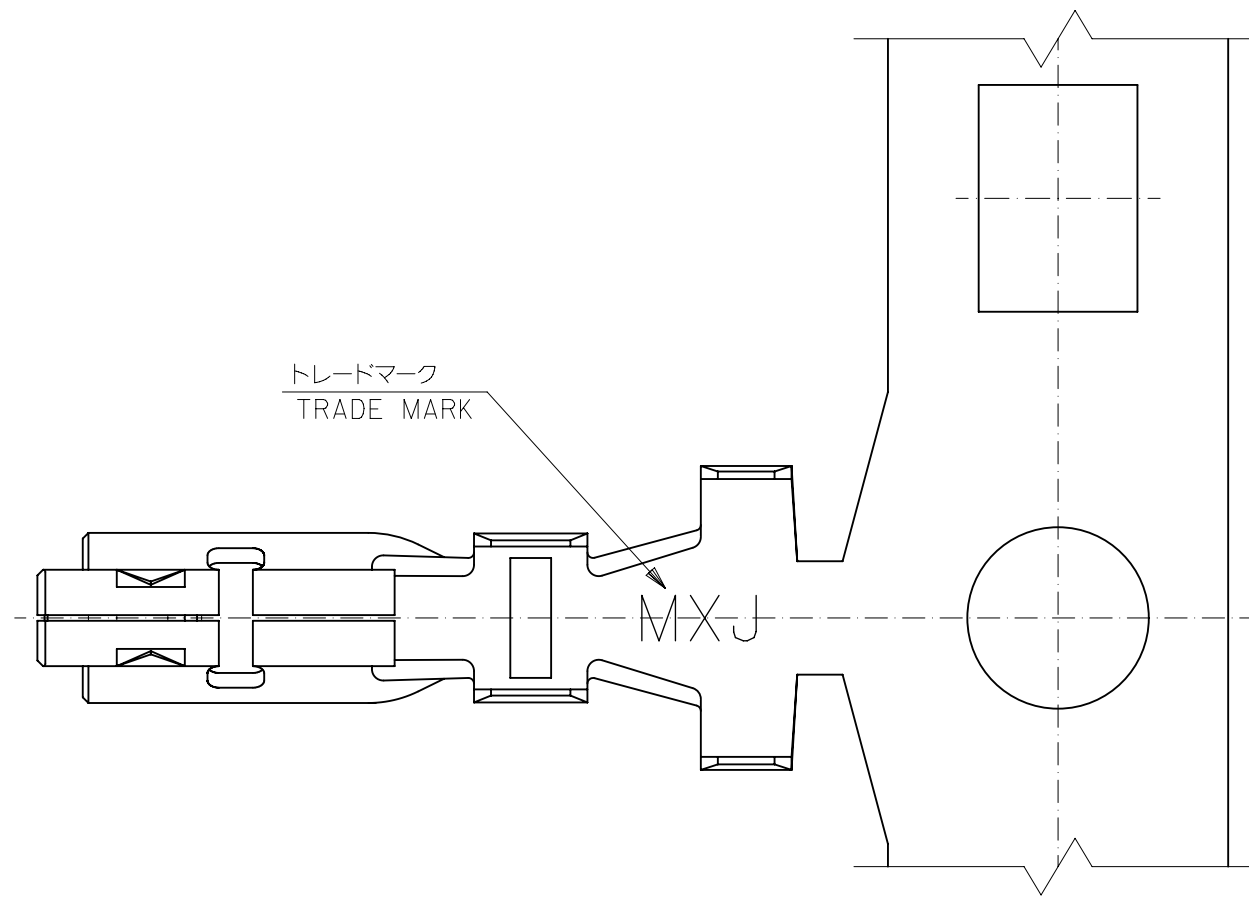


注記  
NOTES

1. 使用材料：銅合金、錫めっき(t=0.15)  
MATERIAL : PRE-TINNED COPPER ALLOY
2. 適合ハウジング：51242,51382,51353シリーズ  
APPLICABLE HOUSING : 51242,51382,51353 SERIES
3. 適合ハウジングアッセンブリ：505596シリーズ  
APPLICABLE HOUSING ASSEMBLY : 505596 SERIES
4. 圧着仕様については、圧着仕様書 CS-56134-007を参照願います。  
PLEASE REFER TO CRIMPING SPECIFICATION CS-56134-007



無鉛  
LEAD FREE

56134-9100	バラ状 LOOSE
56134-9000	連鎖状 CHAIN
MATERIAL NO.	端子形状 FORM

THIS DRAWING CONTAINS INFORMATION THAT IS PROPRIETARY TO MOLEX ELECTRONIC TECHNOLOGIES, LLC AND SHOULD NOT BE USED WITHOUT WRITTEN PERMISSION

MATERIAL 材料	FINISH 仕上げ
注記参照 SEE NOTES	—//—
WIRE RANGE 適用電線範囲	
AWG#22 ~ #28 : 0.079 ~ 0.34mm <sup>2</sup>	
KV0.2 ~ 0.4 : 0.2 ~ 0.4mm <sup>2</sup>	
INS. RANGE 被覆外形	
φ0.9 ~ φ1.7 mm	

EC NO: 169859 DRWN: HKOBAYASHI CHK'D: SAKIYAMA APPR: TKANEKO	2017/12/21	GENERAL TOLERANCES (UNLESS SPECIFIED)	DIMENSION UNITS	SCALE
	2017/12/21	ANGULAR TOL ± 3.0 °	mm	15:1
		4 PLACES ± 0.2	DRWN BY	DATE
		3 PLACES ± 0.2	RHORI	2011/01/20
		2 PLACES ± 0.2	CHK'D BY	DATE
	1 PLACE ± 0.2	KASAKAWA	2011/01/20	
	0 PLACES ± 0.2	APPR BY	DATE	
		NUKITA	2011/01/21	
		DRAWING SIZE	THIRD ANGLE PROJECTION	
		A3		

<b>molex</b> <sup>®</sup>			
2.0 WIRE TO BOARD CONN. CRIMP RECEPTACLE			
PRODUCT CUSTOMER DRAWING			
SERIES	MATERIAL NUMBER	CUSTOMER	
56134	SEE TABLE	GENERAL MARKET 1	
DOCUMENT NUMBER		DOC TYPE	DOC PART SHEET NUMBER
SD-56134-005		PSD	001 1 OF 1